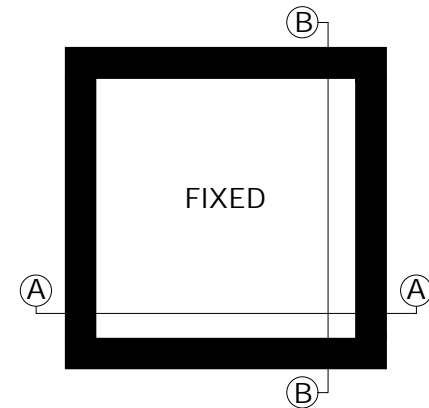
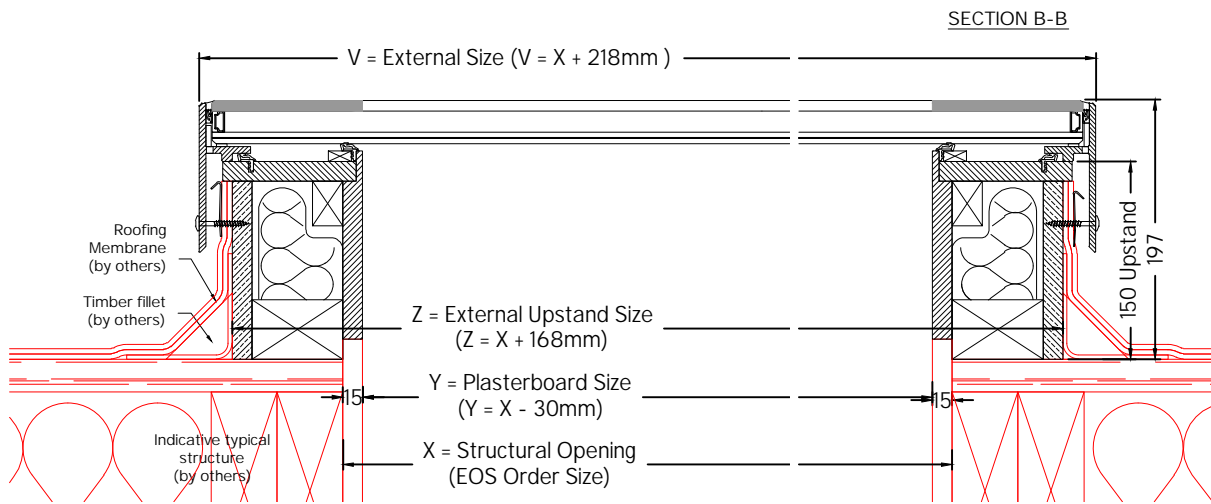
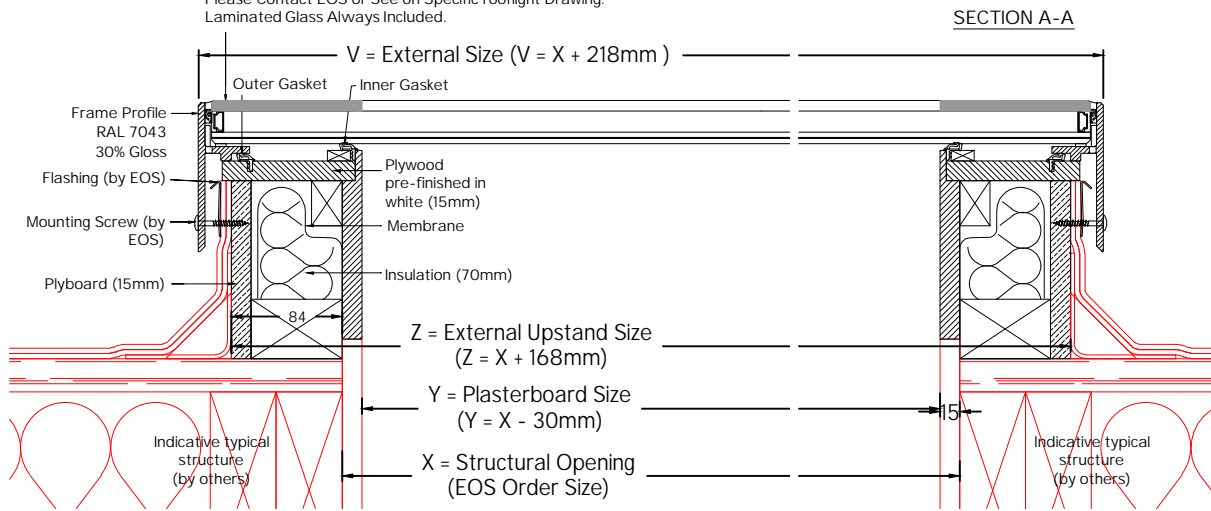
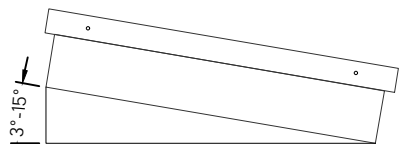
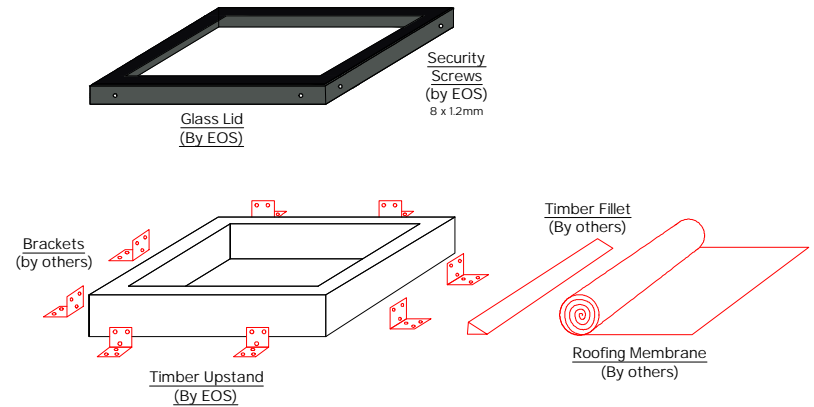


Glass Specification Dependant on Rooflight Size.
Please Contact EOS or See on Specific rooflight Drawing.
Laminated Glass Always Included.



Installation Procedure
(See specific installation sheet for more details)



Rooflight must be installed on a roof pitch between 3-15° (by others). Failure to do so will result in water pooling on the rooflight.



Title: **Eco Double Glazed Fixed Rooflight With Insulated Upstand**

System:	Size:	Type:	Ref:
Eco	Bespoke	Fixed	



Scale: 1:4 @ A3

Date: Jan 21

0 revision

Key:
— by others
 — by EOS