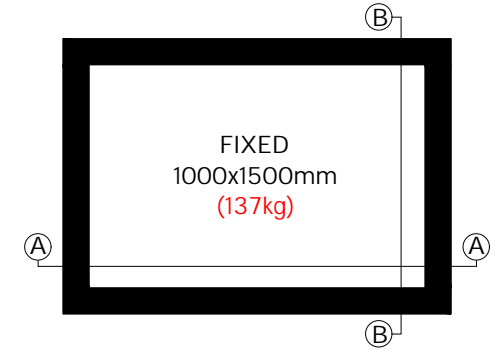
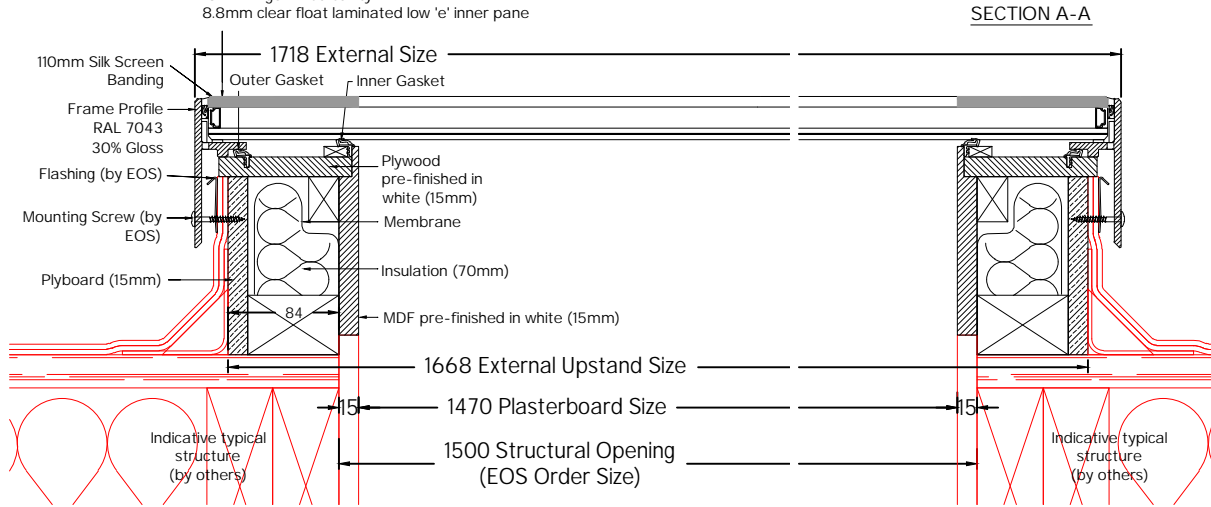
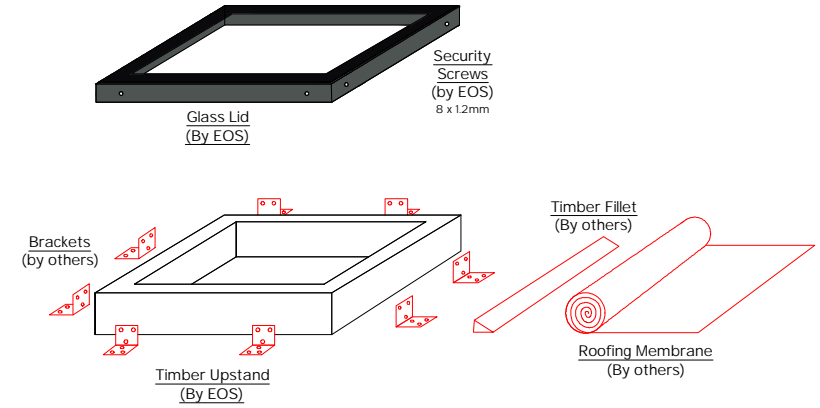
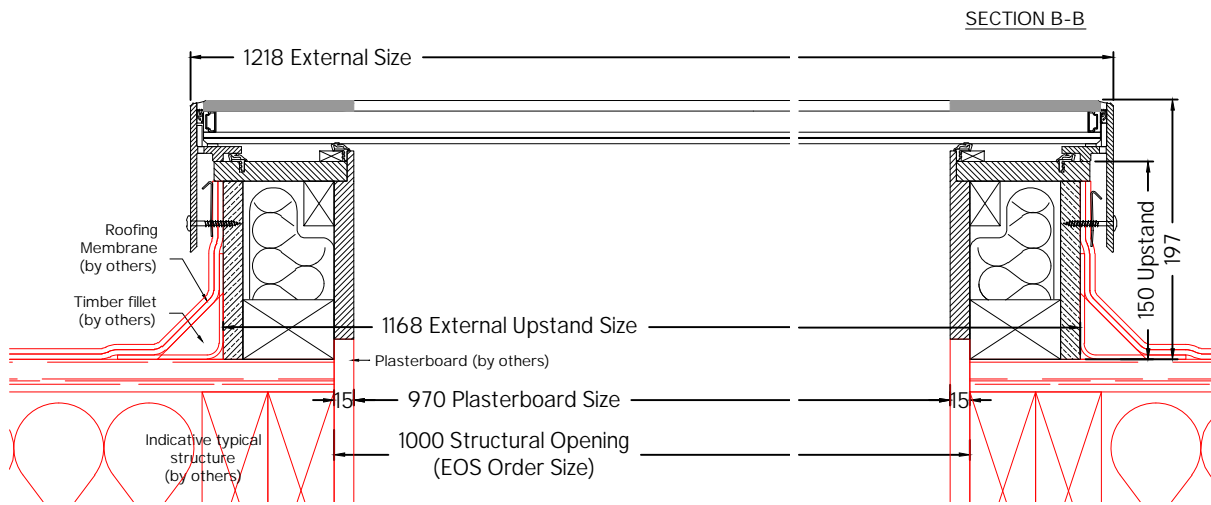


32mm double glazed unit comprising of:  
 8mm clear toughened outer pane  
 16mm Argon filled cavity  
 8.8mm clear float laminated low 'e' inner pane



**Installation Procedure**  
 (See specific installation sheet for more details)



Rooflight must be installed on a roof pitch between 3-15° (by others). Failure to do so will result in water pooling on the rooflight.

Title: **Eco Double Glazed Fixed Rooflight With Insulated Upstand**

Key:  
 — by others  
 — by EOS

System: <b>Eco</b>	Size: <b>1000mm x 1500mm</b>	Type: <b>FIXED</b>	Ref: <b>FU3</b>
-----------------------	---------------------------------	-----------------------	--------------------



Scale:  
**1:4 @ A3**

Date:  
**Jan 21**  
 0  
revision