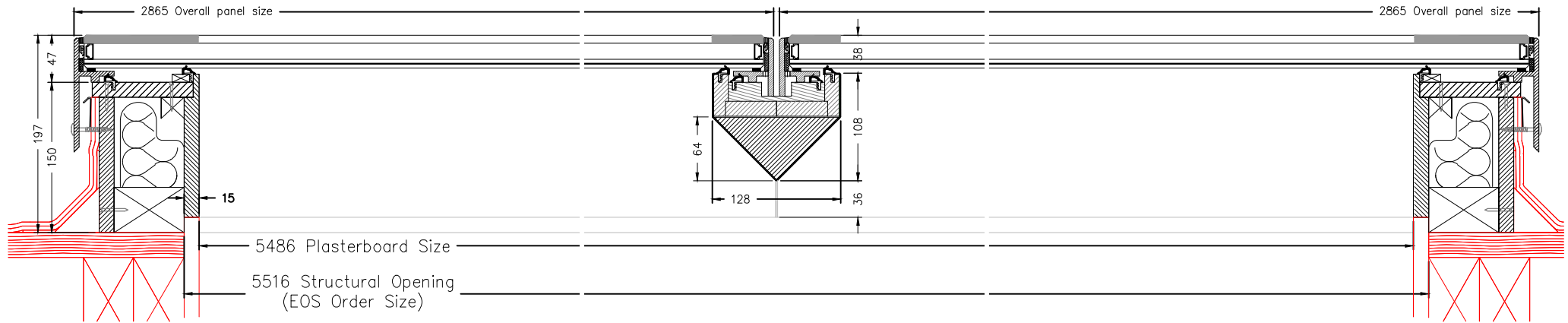


Rooflight must be installed on a roof pitch between 3-15° (by others). Failure to do so will result in water pooling on the rooflight.

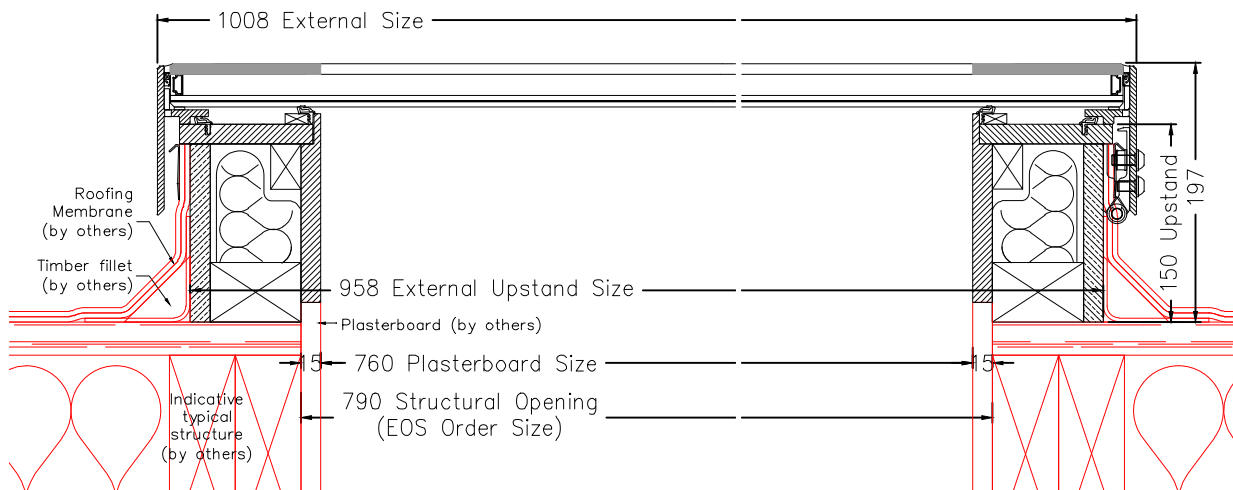


FIXED
2750x790mm

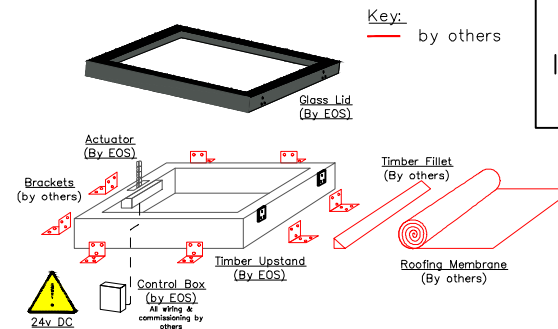
FIXED
2750x790mm



SECTION B-B



Installation Procedure
(See specific installation sheet for more details)



3-15 degree pitch must be on smaller size if modular rooflight has an opener as motor must sit level and not on a pitch.



Drawing Title
5516mm x 790mm
Modular Rooflight

scale 1:4 @ A3

drawing no. SH006

date

0 revision

This drawing is copyright and may not be reproduced either in part or full without written permission from EOS Rooflights. DO NOT SCALE OFF THIS DRAWING