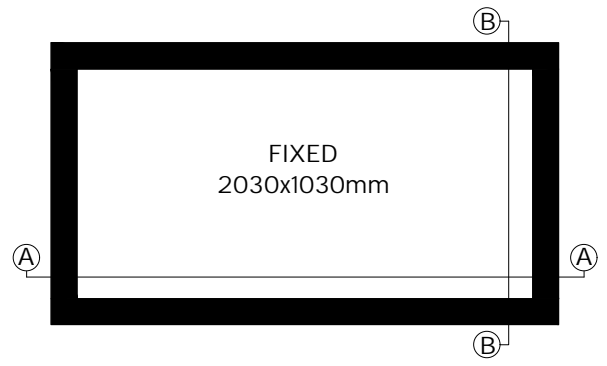
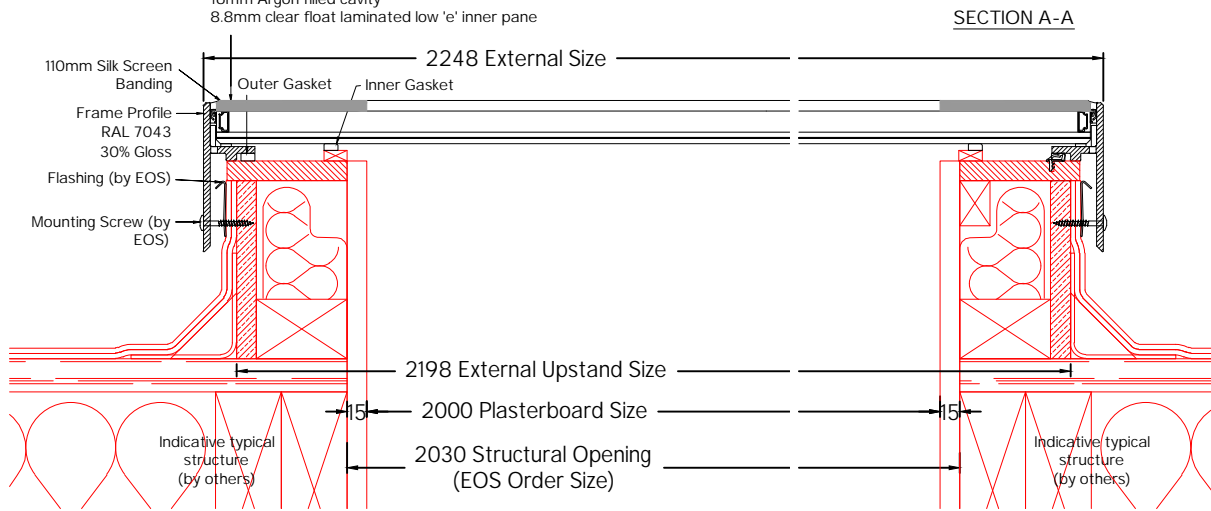
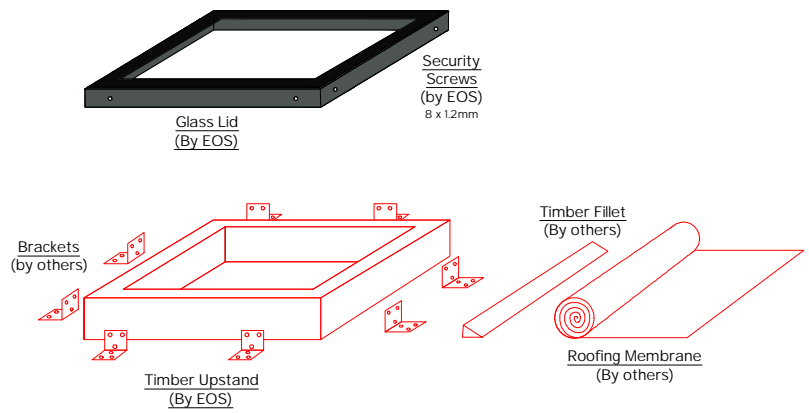
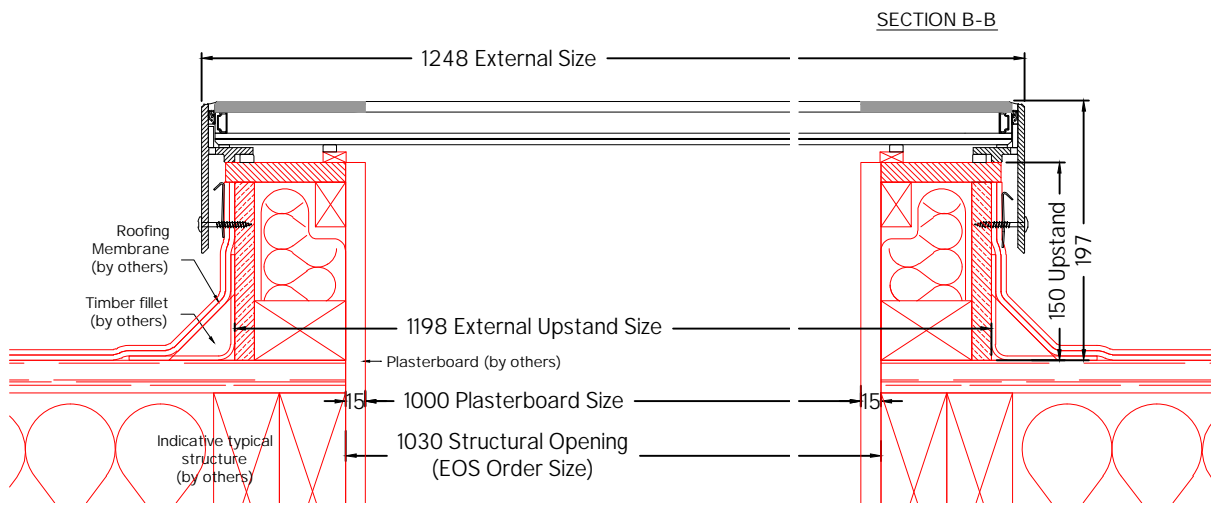


32mm double glazed unit comprising of:
 8mm clear toughened outer pane
 16mm Argon filled cavity
 8.8mm clear float laminated low 'e' inner pane



Installation Procedure
 (See specific installation sheet for more details)



Title: Eco Double Glazed Fixed Rooflight			
System: Eco	Size: 2030mm x 1030mm	Type: FIXED	Ref: X4 plus
EOS Rooflights, The Beechwood Centre, 42-46 Lower Gravel Road, Bromley, Kent, BR2 8GP info@eosrooflights.co.uk www.eosrooflights.co.uk			

Key: — by others — by EOS	
Scale: 1:4 @ A3	Date: Jan 21
0 revision	

This drawing is copyright and may not be reproduced either in part or full without written permission from EOS Rooflights'. **DO NOT SCALE OFF THIS DRAWING**