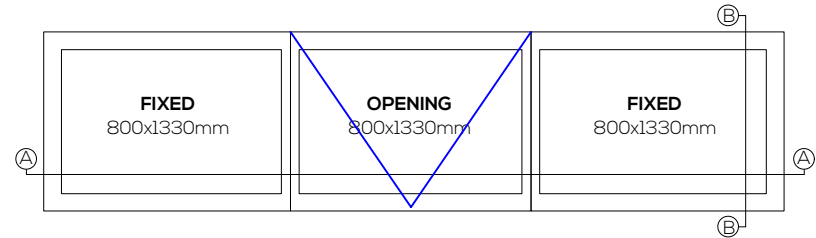
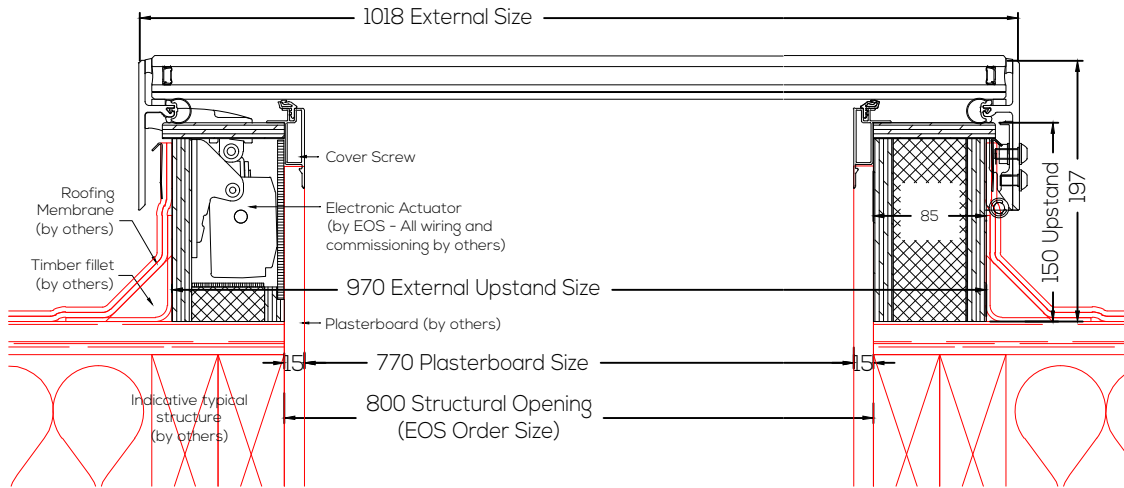
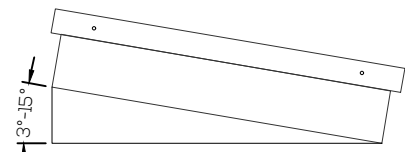
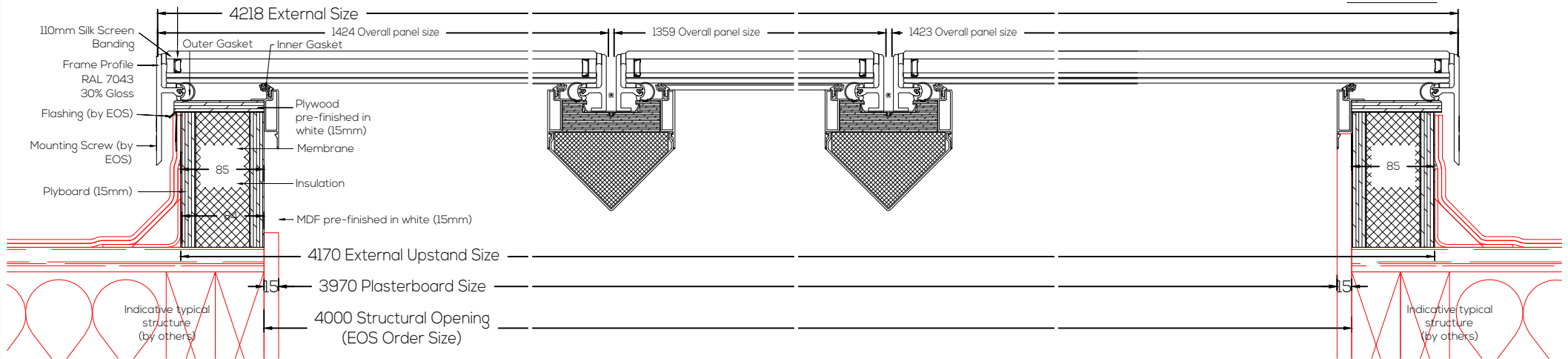


SECTION B-B



32mm double glazed unit comprising of:
 8mm clear toughened outer pane
 16mm Argon filled cavity
 8.8mm clear float laminated low 'e' inner pane

SECTION A-A



Rooflight must be installed on a roof pitch between 3-15° (by others). Failure to do so will result in water pooling on the rooflight.



Title:
 Eco Double Glazed Modular Rooflight With Insulated Upstand

Key:
 — by others
 — by EOS

System:
 Eco

Size:
 4000mm x 800mm

Type:
 FIXED/OPENER

Ref:
 GASHOP04



Scale:
 1:4 @ A3

Date:
 01.02.22

revision
 0