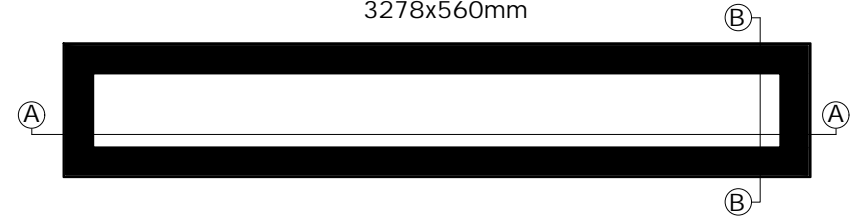
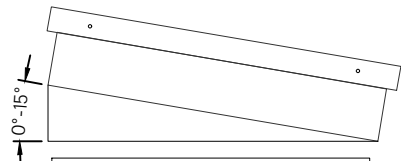
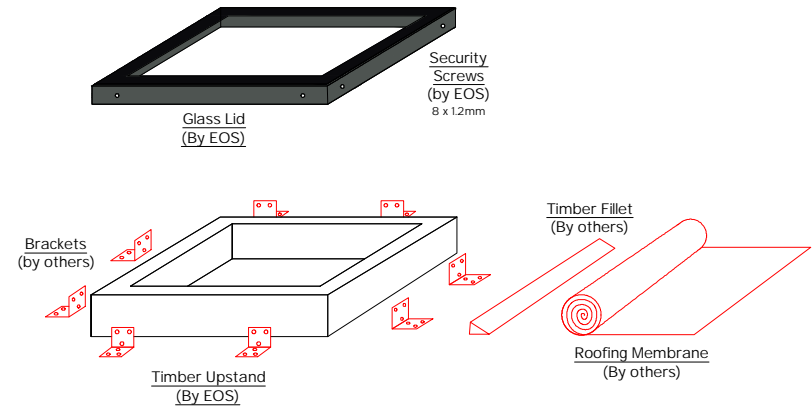


WALK ON
3278x560mm



Installation Procedure
(See specific installation sheet for more details)



Rooflight must be installed on a roof pitch between 0-15° (by others). Failure to do so will result in water pooling on the rooflight.



Title:
Lite Double Glazed Walk On Rooflight - Lid Only (For Builders Upstand)

System: WalkOn	Size: 3278mm x 560mm	Type: FIXED	Ref: 4530.01
-------------------	-------------------------	----------------	-----------------



Scale:
1:4 @ A3

Date:
Feb 22

0
revision

Key:
— by others
— by EOS