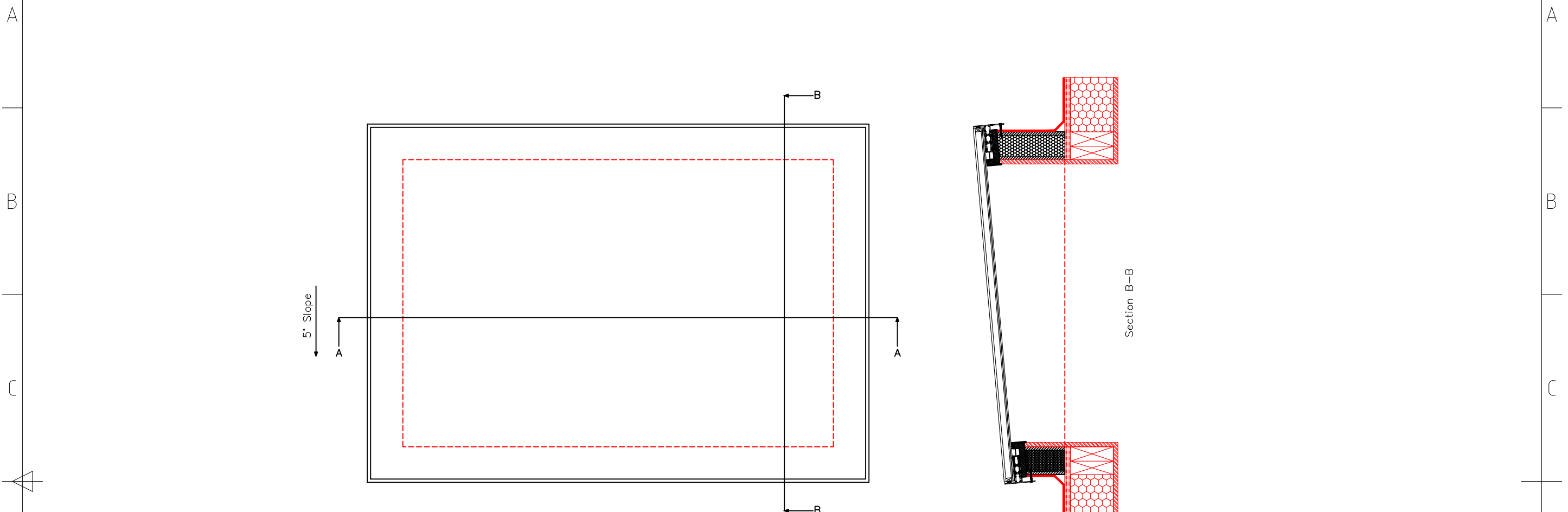


1 2 3 4 5 6 7 8

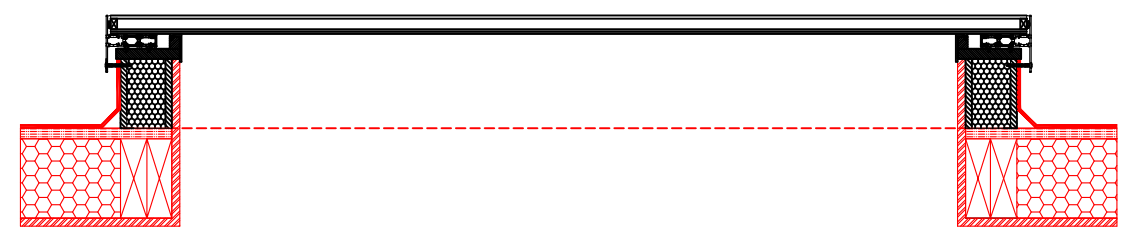
█ = by Others
█ = by EOS Rooflights



5° Slope

Plan View

Section B-B



Section A-A

Glass Details
 34.8mm Insulating Glass Unit, Comprising of:
 6mm HST Toughened, Low 'E', Outer Pane,
 20mm Warm Spacer Bar Black (Argon Filled Silicone Edge Seal.
 8.8mm Clear Laminated (Ground Edges) Inner Pane.

Frame Details
 Extruded aluminum profile comprising of 2 parts, thermally broken
 in the center. Internal and external sections PPC to RAL 7016.
 Internal trim PPC to RAL 9010

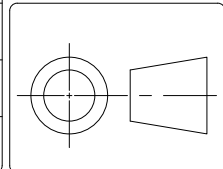
Finish
 External: PPC to RAL 7016
 Internal: PPC to RAL 9010



EOS Rooflights, Unit 2, Sidcup Logistics Park East
 Sandy Lane, Sidcup, Kent, DA14 5FE
 e: sales@eosrooflights.co.uk
 w: www.eosrooflights.co.uk

Rev:	Description:	By:	Date:

Tolerance
 Unless
 Otherwise
 Stated ±1mm.



Project:
 EOS-97 Fixed Rooflight.

Description:
 EOS-97 Fixed to Suit 1000mm x 1500mm S.I.O.

Scale:
 Not to Scale

Date:
 21/03/2024

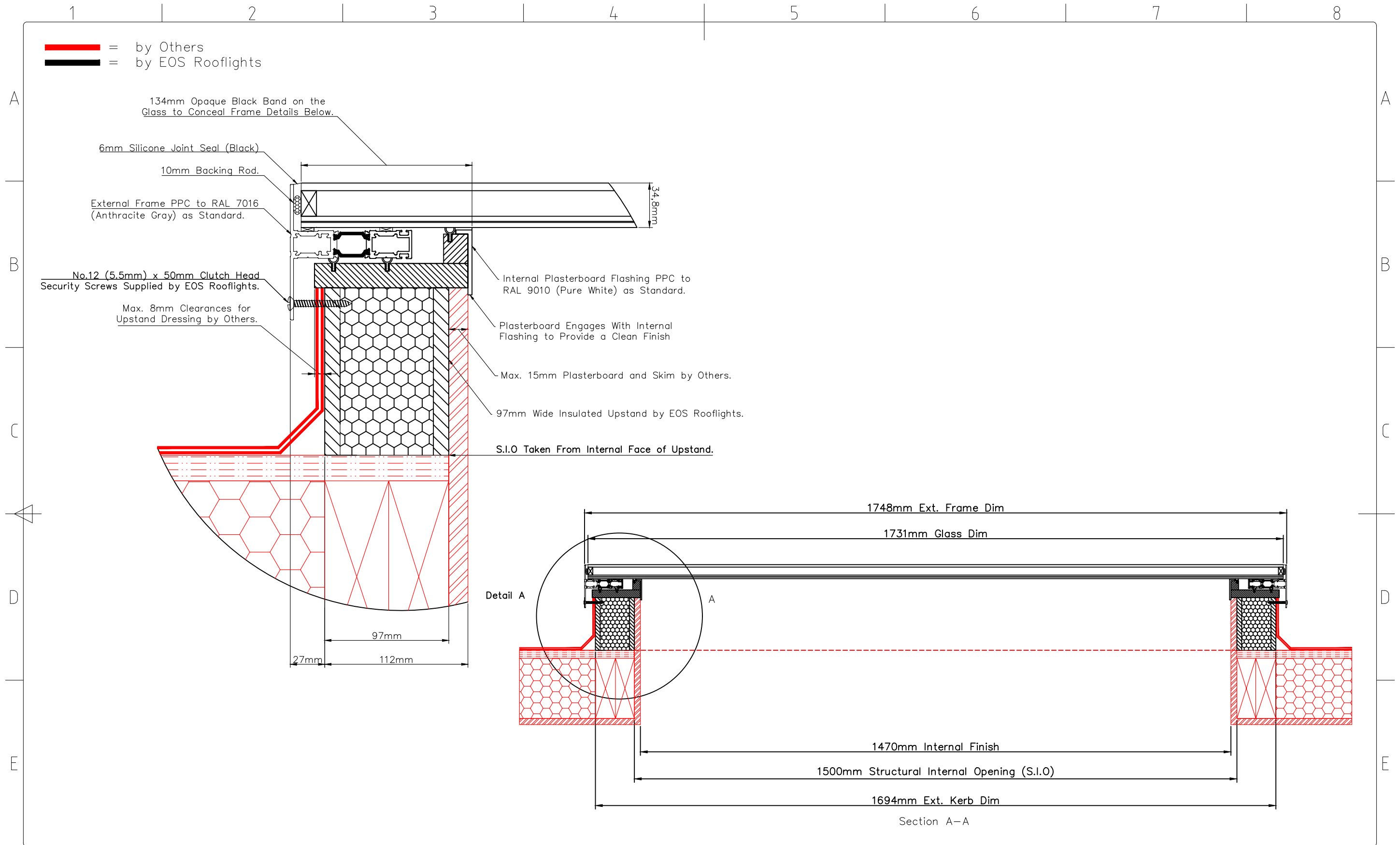
Drawn By:
 AM

Drawing No:
 STD-F-115-001

Revision:

Checked By:
 CH

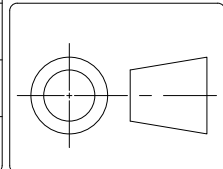
1 2 3 4 5 6 7 8



EOS Rooflights, Unit 2, Sidcup Logistics Park East
 Sandy Lane, Sidcup, Kent, DA14 5FE
 e: sales@eosrooflights.co.uk
 w: www.eosrooflights.co.uk

Rev:	Description:	By:	Date:

Tolerance Unless Otherwise Stated ±1mm.



Project:
EOS-97 Fixed Rooflight.

Description:
EOS-97 Fixed to Suit 1000mm x 1500mm S.I.O.

Scale:
Not to Scale

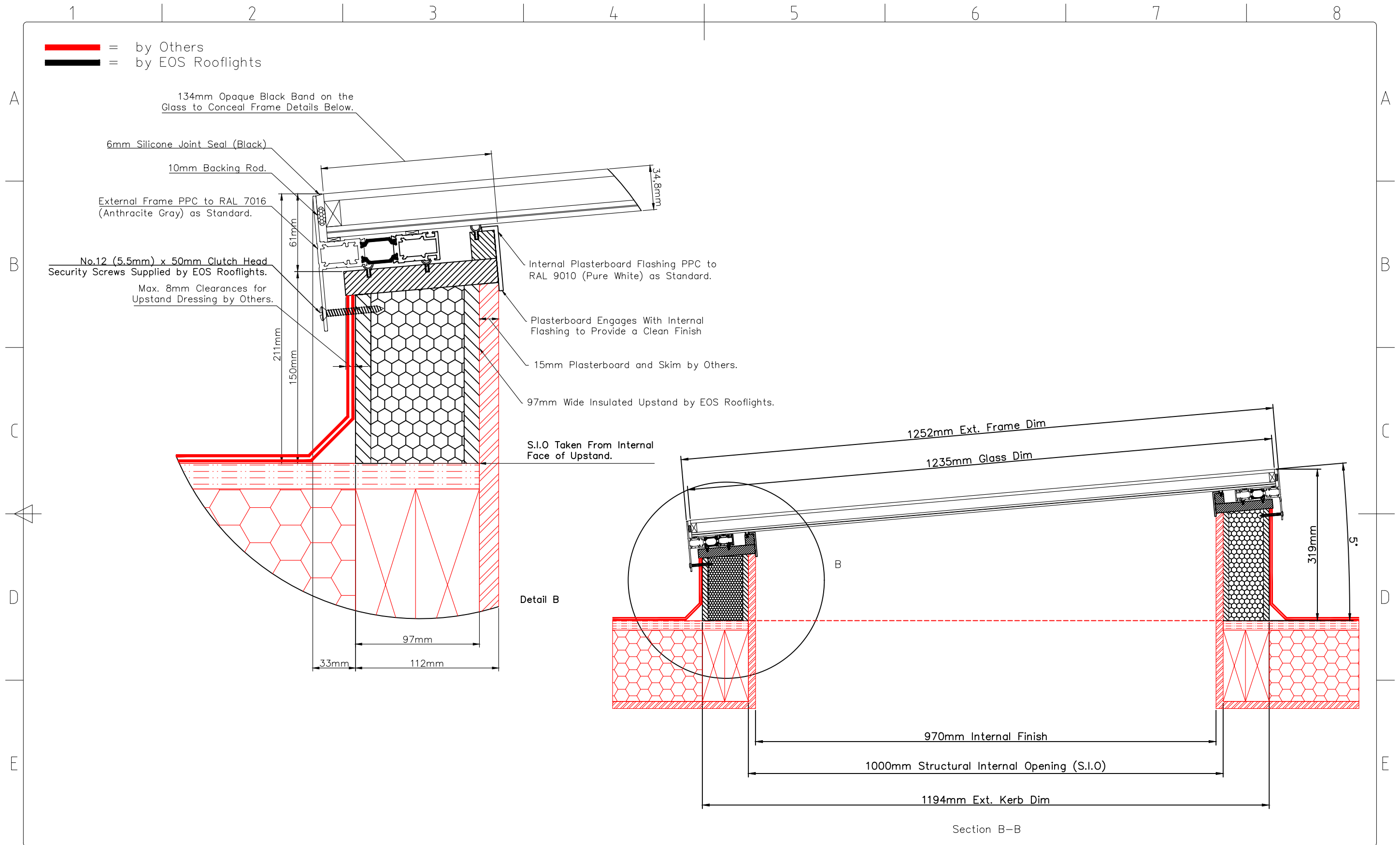
Date:
21/03/2024

Drawn By:
AM

Drawing No:
STD-F-115-002

Revision:

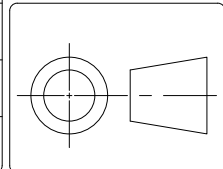
Checked By:
CH



EOS Rooflights, Unit 2, Sidcup Logistics Park East
 Sandy Lane, Sidcup, Kent, DA14 5FE
 e: sales@eosrooflights.co.uk
 w: www.eosrooflights.co.uk

Rev:	Description:	By:	Date:

Tolerance
 Unless
 Otherwise
 Stated ±1mm.



Project:
 EOS-97 Fixed Rooflight.

Description:
 EOS-97 Fixed to Suit 1000mm x 1500mm S.I.O.

Scale:
 Not to Scale

Date:
 21/03/2024

Drawn By:
 AM

Drawing No:
 STD-F-115-003

Revision:

Checked By:
 CH