

97-11V

Glass Details

Option A

34.8mm Insulating Glass Unit, Comprising of:
 6mm HST Toughened, Low 'E', Outer Pane,
 20mm Warm Spacer Bar Black (Argon Filled Silicone Edge Seal).
 8.8mm Clear Laminated (Ground Edges) Inner Pane.

Option B

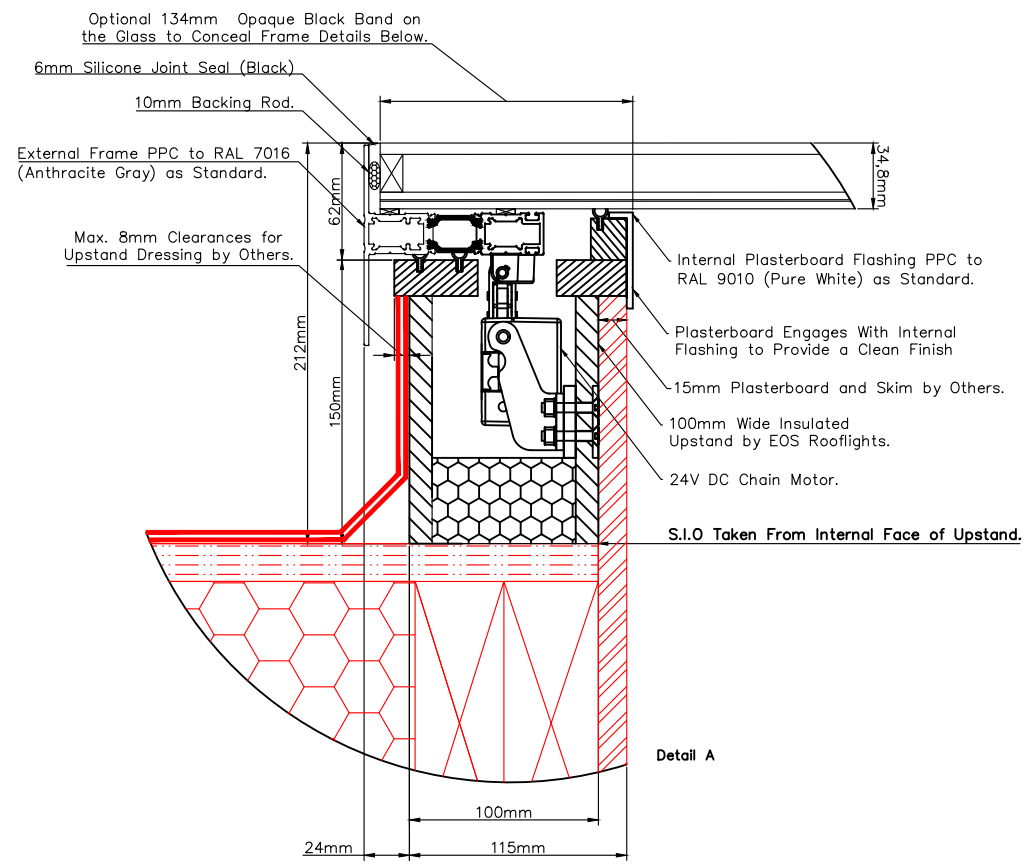
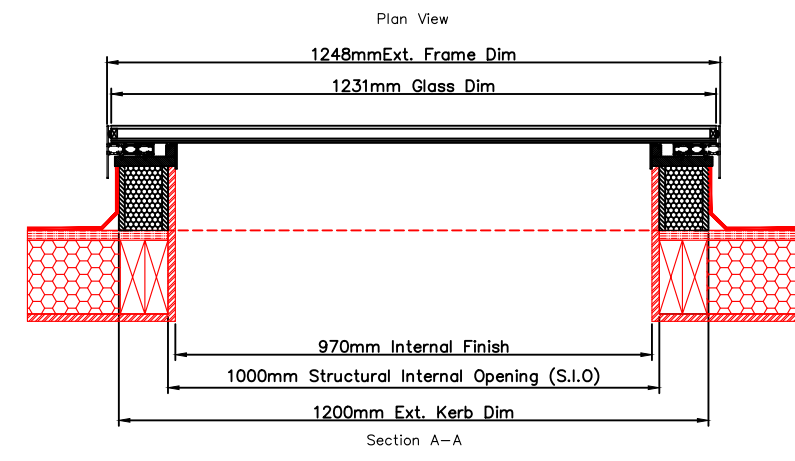
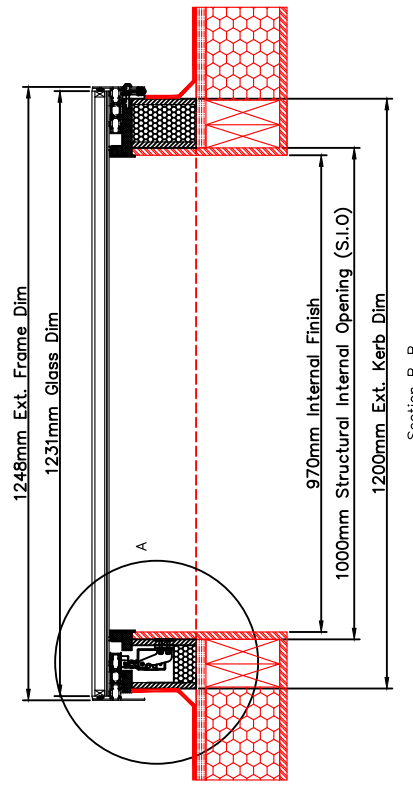
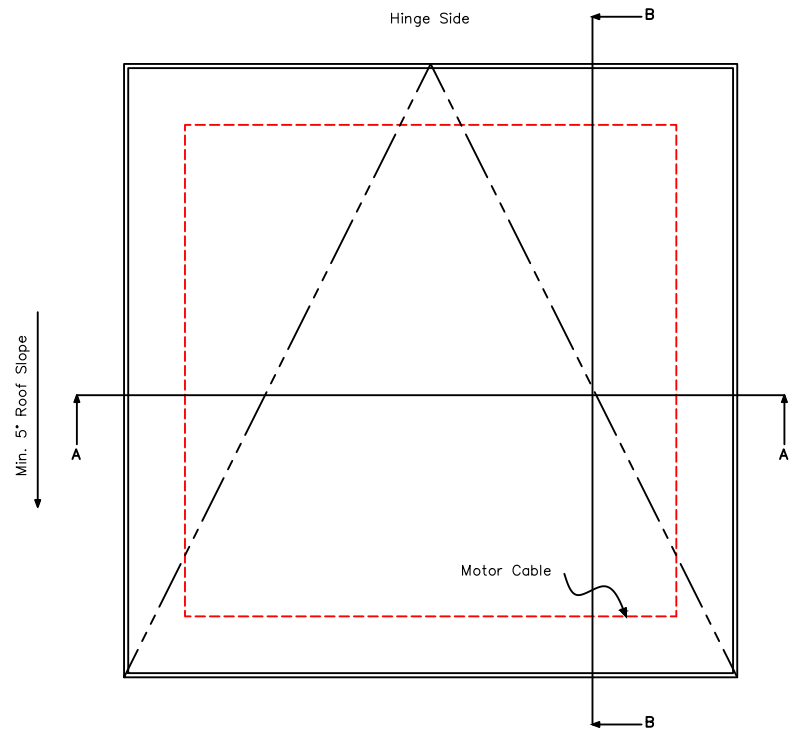
34mm Insulating Glass Unit, Comprising of:
 6mm Toughened, Low 'E', Outer Pane,
 22mm Warm Spacer Bar Black (Argon Filled Silicone Edge Seal).
 6mm Toughened, (Ground Edges) Inner Pane.

Frame Details

Extruded aluminum profile comprising of 2 parts, thermally broken
 in the center. Internal and external sections PPC to RAL 7016.
 Internal trim PPC to RAL 9010

Finish

External: PPC to RAL 7016
 Internal: PPC to RAL 9010



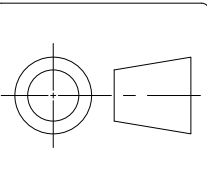
— = by Others
 — = by EOS Rooflights



EOS Rooflights, Unit 2, Sidcup Logistics Park East
 Sandy Lane, Sidcup, Kent, DA14 5FE
 e: sales@eosrooflights.co.uk
 w: www.eosrooflights.co.uk

Rev:	Description:	By:	Date:

Tolerance
 Unless
 Otherwise
 Stated ±1mm.



Project:
 Stock EOS-97 Vent.

Description:
 EOS-97 Vent to Suit 1000mm x 1000mm S.I.O.

Scale:
 Not to Scale

Date:
 19/02/2025

Drawn By:
 AM

Drawing No:
 GA-97VS-001

Revision:

Checked By:
 CH